

Sunda Baffle





Sunda Baffle Acoustic Fabric Wrapped Baffle

Sunda Baffle delivers exceptional Class A acoustic performance, making it an ideal solution for controlling sound reflections, reducing echo, and enhancing speech intelligibility in various environments such as offices, schools, restaurants, theatres and more. Manufactured from a 40mm Class 0 / EN Class 1 fire-rated Glass Wool Core and faced with premium acoustic fabric, these lightweight baffles offer both superior sound absorption and aesthetic appeal.

Sunda Baffle



Product Features

- Suspended sound absorbing baffle
 - Crafted from premium high-density fiberglass
 - Stylish fabric finish for aesthetic appeal
 - Engineered to enhance sound clarity and reduce echo
 - Achieves up to Class A rating
 - Includes mounting hardware
-



Sunda Baffle

Sunda Baffle features a sleek rectangular design and is available in various sizes to suit your space. With its clean, straight edges, it provides a sophisticated and effective solution for your acoustic needs.

1200 x 300 x 40 (mm)
1800 x 300 x 40 (mm)
2400 x 300 x 40 (mm)

SOLD PER BAFFLE



Superior sound absorption

Sunda Baffle is a suspended sound-absorbing solution crafted from premium high-density Glass Wool with a stylish fabric finish. Engineered to enhance sound clarity and reduce echo, it achieves up to a superior Class A rating, making it both effective and aesthetically pleasing.



Installation

How to install Sunda Baffle

Step 1. Prepare Top Hat:

- Measure and set out the correct positioning on the soffit, mark and install the top hat and adjustable wire hanging kit using suitable fixings.

Step 2. Prepare Hooks:

- Each Sunda Baffle comes with 2-3 spiral hooks, depending on its size.

Step 3. Position Hooks:

- Insert the spiral hooks 150mm to 200mm from the edge of the baffle.

Step 4. Insert Hooks:

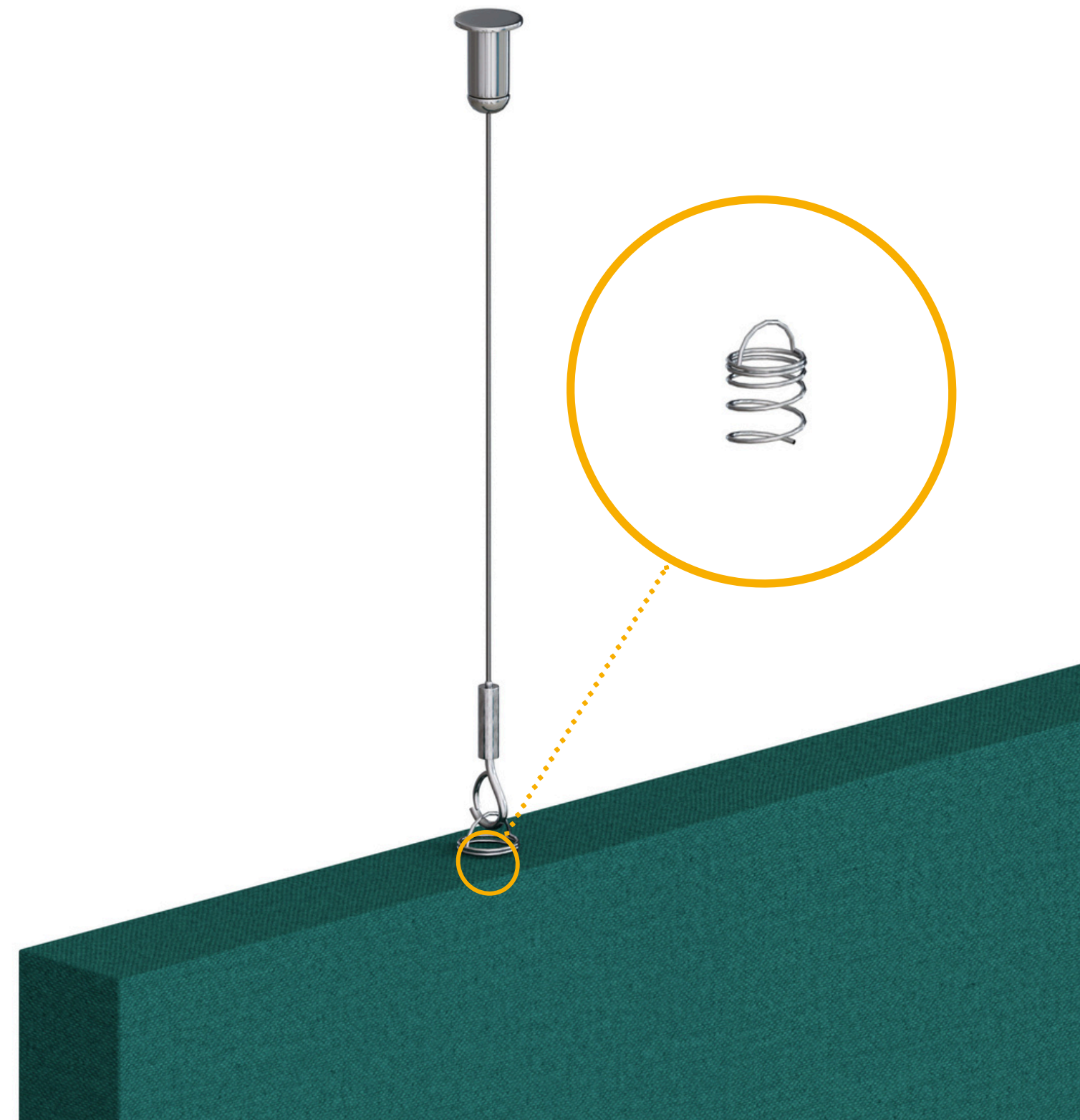
- Screw the spiral hooks into the edge of the baffle, ensure they do not pierce through to the front surface of the baffle.

Step 5. Connect Baffle to Hanger:

- Offer up the baffle to the wire hanging kit and connect the spiral hooks to the clip.

Step 6. Level Adjustment:

- Adjust the height and level by pushing down the mechanism on the top side of the clip to release tension on the wire.

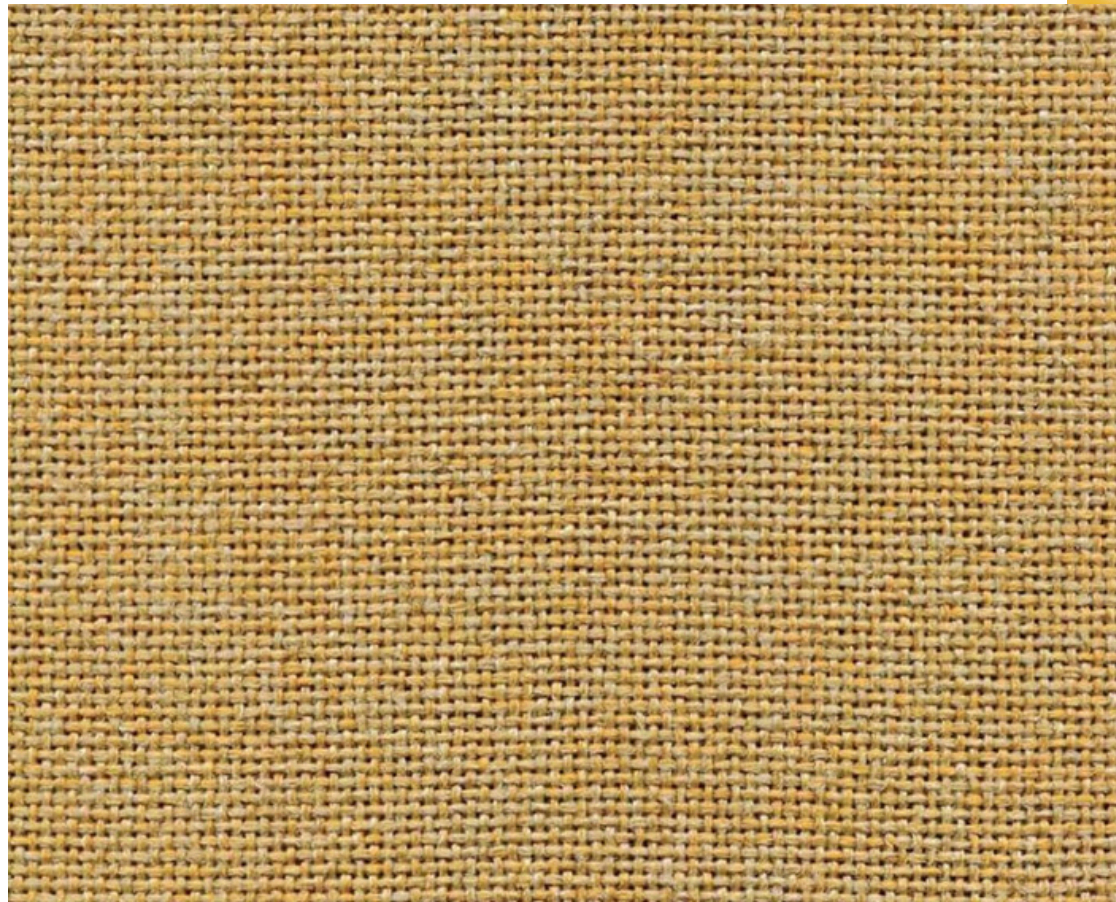


Each Sunda Baffle will come with the correct amount of hanging kits. These kits consist of a Top Hat fixing, 2m Adjustable Wire, Clip and a Spiral Hook. The only fixings you will need in addition to these hanging kits are the screws to attach the Top Hat fixing to the soffit. We do not supply these screws as the appropriate screws will dependant on your soffit structure ie. Plasterboard, concrete, timber which your local DIY store will be able to recommend.

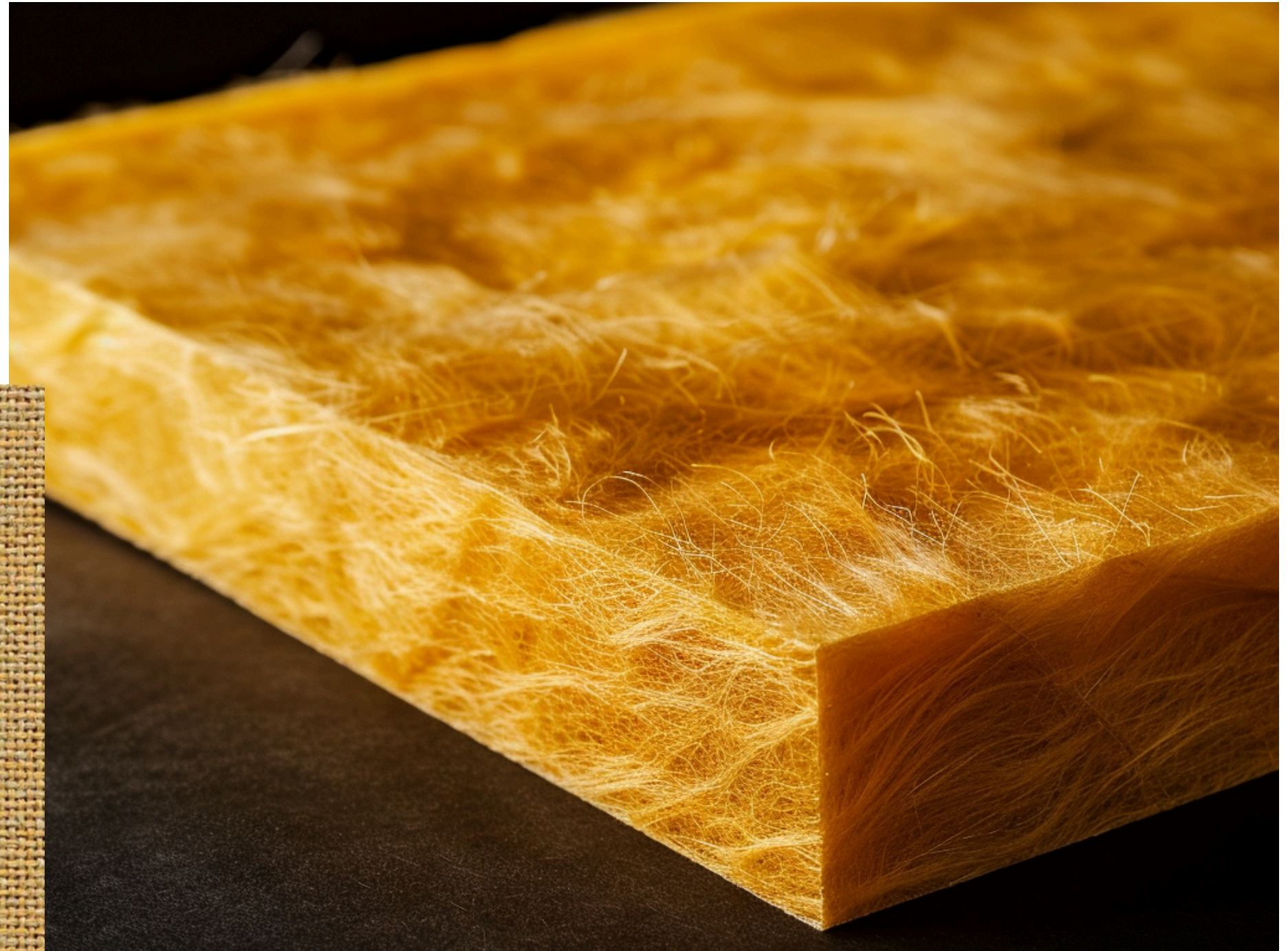
Sunda Baffle Materials

Sunda Baffle features a dense glass wool core, providing exceptional sound absorption while being environmentally sustainable. Its high-quality fabric face delivers a premium finish and comes in a wide range of colours.

Camira Fabric

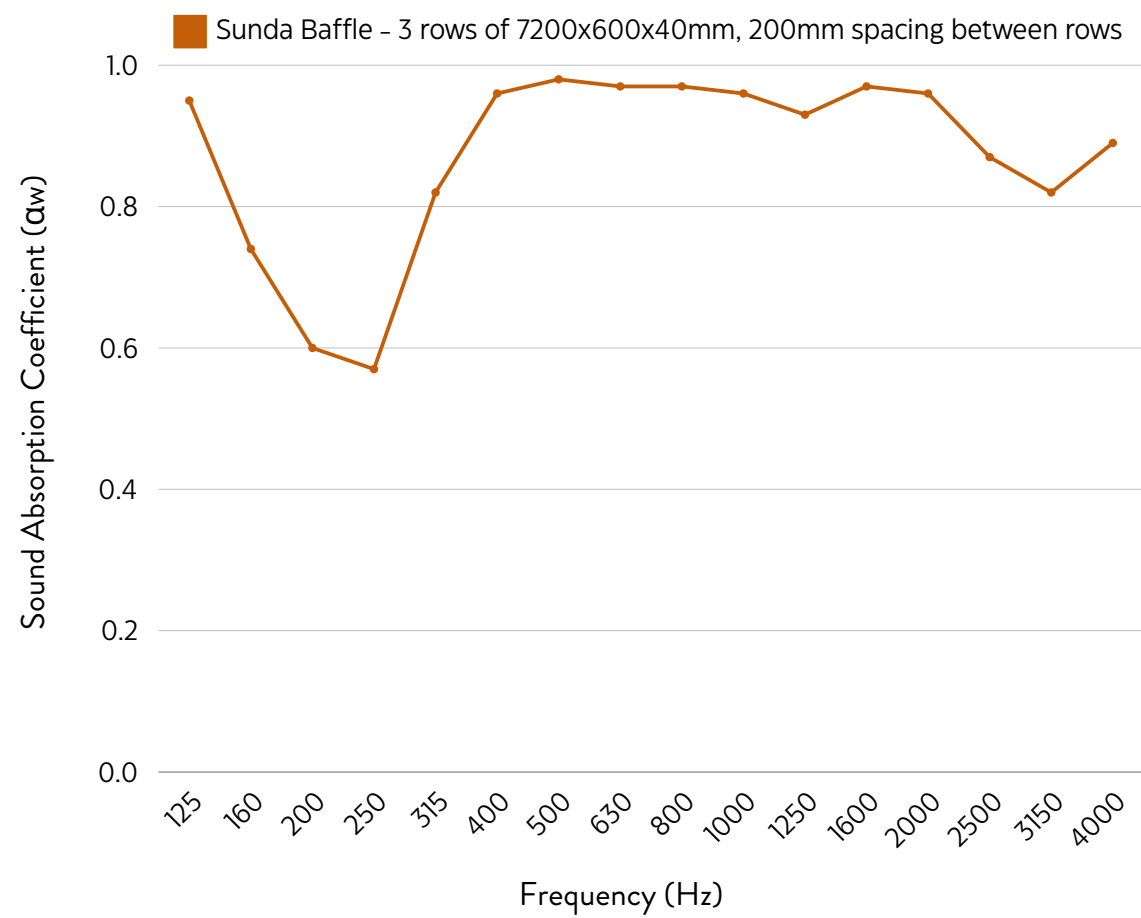


Glass Wool Core



Performance Acoustic Results

Sunda Baffle has great acoustic properties and has up to Class A Sound Absorption rating depending on installation, spacing between the baffles and quantity.



Sunda Baffle - 3 rows of 7200x600x40mm, 200mm spacing between rows																
Frequency (Hz)	125	160	200	250	315	400	500	630	800	1000	1250	1600	2000	2500	3150	4000
Absorption Coefficient (αw)	0.95	0.74	0.60	0.57	0.82	0.96	0.98	0.97	0.97	0.96	0.93	0.97	0.96	0.87	0.82	0.89
αw 0.95 Class A <small>Calculated to EN ISO 11654:1997</small> NRC 0.85 <small>Calculated to ASTM C 423-01</small>																



Sunda Baffle



Product Specification



Fire

Sunda Baffle core board has been tested and offers EN 13501-1:2018 A2-s1, d0 and Class O fire rating to BS476: Part 6. Fabric facing complies with EN1350-1 Class B, s1, d0.



Weight

Sunda Baffle weighs 4kg/m². All weights are given as approximations.



Acoustic Performance

Sunda Baffle has been tested and offers Class A acoustic performance with an 0.85 NRC rating.



Sound
absorbing



Eco
friendly

Colours

Sunda Baffle is elegantly wrapped in high-quality Camira fabric. We offer the Lucia fabric range as standard, but can also provide other fabric options and colours upon request. For alternative colour choices, please contact a member of our team.



Samples

If you would like a closer look at our Sunda fabric colours, please get in touch.

Storage & Handling

Protect Sunda Baffle from excessive moisture during storage and handling. Avoid placing or stacking items on top of the baffles to prevent damage. Handle with clean hands or gloves to avoid marks. Store in a clean, uncluttered area to prevent accidental damage.

Aftercare & Maintenance

Sunda Baffle requires minimal maintenance post-installation. For cleaning, use a damp cloth as needed and dust periodically to keep the baffles looking their best.

Sunda Baffle



FIND YOUR
HARMONY



FAQs

How many Baffles do I need?

Determining the optimal quantity of Sunda Baffles isn't an exact science. Broadly, increased surface coverage leads to greater sound absorption and reduced echo. As a general guideline, aiming to cover approximately 30% to 50% of the ceiling area typically results in effective sound absorption.

Do you make this baffle in custom sizes?

Yes, although we have a standard range of the most popular sizes it is possible to have a customised shape or size of the Sunda Baffle to suit your requirements.

Can I suspend these baffles at different heights?

Yes, the wire hanging kits provided are adjustable meaning that you can easily alter the height by simply pressing down on the clip that the wire feeds through. We recommend a minimum suspension drop of 150mm-200mm for optimal acoustic performance.

Is there a warranty with Sunda Baffle?

Our Sunda Baffle comes with a one-year manufacturer's warranty, providing coverage for any defects in materials or workmanship.

Where is this product shipped from?

Sunda Baffle is manufactured in and shipped from the UK.

How do these Baffles arrive?

Your delivery will arrive fully packaged and protected on a specific vehicle for the size and weight of your delivery.

CONTACT US

01977 525974

info@theacousticsstore.co.uk

www.theacousticsstore.co.uk

c/o Qic Trims Radclive Road,
Gawcott Buckingham, MK18 4BL

THE ACOUSTICS STORE
SOUNDS JUST RIGHT