

## Sunda Raft



## Sunda Raft

# Acoustic Fabric Wrapped Raft

---

Our sound-absorbing ceiling rafts are engineered to deliver superior acoustic performance while maintaining a stylish appearance. Designed to absorb sound and prevent echo and reverberation, these rafts ensure optimal acoustic comfort and enhanced speech intelligibility in various settings, including offices, schools, hospitals, restaurants, retail, and leisure spaces.



## Product Features

- Crafted from high-density glass wool material
- Offers highest acoustic performance
- Stylish fabric-wrapped design
- Rigid edges for a luxurious touch
- Easy to install with adjustable suspension heights
- Mounting hardware included



## Sunda Raft Circle

Sunda Raft Circle provides a stylish solution for significantly reducing unwanted echo and reverberation. With its soft, round edges and high-performance glass wool core, it helps create a more calming and tranquil space.

Ø600 x 40 (mm)  
Ø800 x 40 (mm)  
Ø1000 x 40 (mm)  
Ø1200 x 40 (mm)

SOLD PER RAFT





---

## Sunda Raft Square

Sunda Raft Square is a popular choice for acoustic treatment, offering a sleek design, superior sound absorption, and easy installation. Its straightforward shape and high-performance acoustic properties make it both a stylish and functional solution.

600 x 600 x 40 (mm)  
800 x 800 x 40 (mm)  
1000 x 1000 x 40 (mm)  
1200 x 1200 x 40 (mm)

SOLD PER RAFT



## Sunda Raft Rectangle

Sunda Raft Rectangle delivers outstanding acoustic performance while enhancing your space with added structure and dimension. A trusted solution to effectively reduce unwanted noise and create a more serene environment.

1200 x 600 x 40 (mm)	2100 x 1200 x 40 (mm)
1200 x 900 x 40 (mm)	2400 x 1200 x 40 (mm)
1500 x 1200 x 40 (mm)	2700 x 1200 x 40 (mm)
1800 x 1200 x 40 (mm)	3000 x 1200 x 40 (mm)

SOLD PER RAFT



# Reduce reverberation & echo

Our sound-absorbing ceiling rafts are meticulously crafted to provide outstanding acoustic performance while enhancing aesthetic appeal. Designed to minimise noise, echo, and reverberation, these rafts create an acoustically comfortable environment with improved speech clarity.



# Installation

## How to install Sunda Raft

### Step 1. Prepare Hanging Kit:

- Gather the spiral hooks, 2m cable, and eyelet hooks from the hanging kit.

### Step 2. Prepare Top Hat:

- Measure and set out the correct positioning on the soffit, mark and install the top hat and adjustable wire hanger kit using suitable fixings

### Step 3. Position Hooks:

- Place the spiral hooks approximately 200mm in from the corner edge of the Sunda Raft panel.

### Step 4. Insert Hooks:

- Screw the spiral hooks into the edge of the panel, ensuring they do not pierce through to the front surface.

### Step 5. Connect Cables:

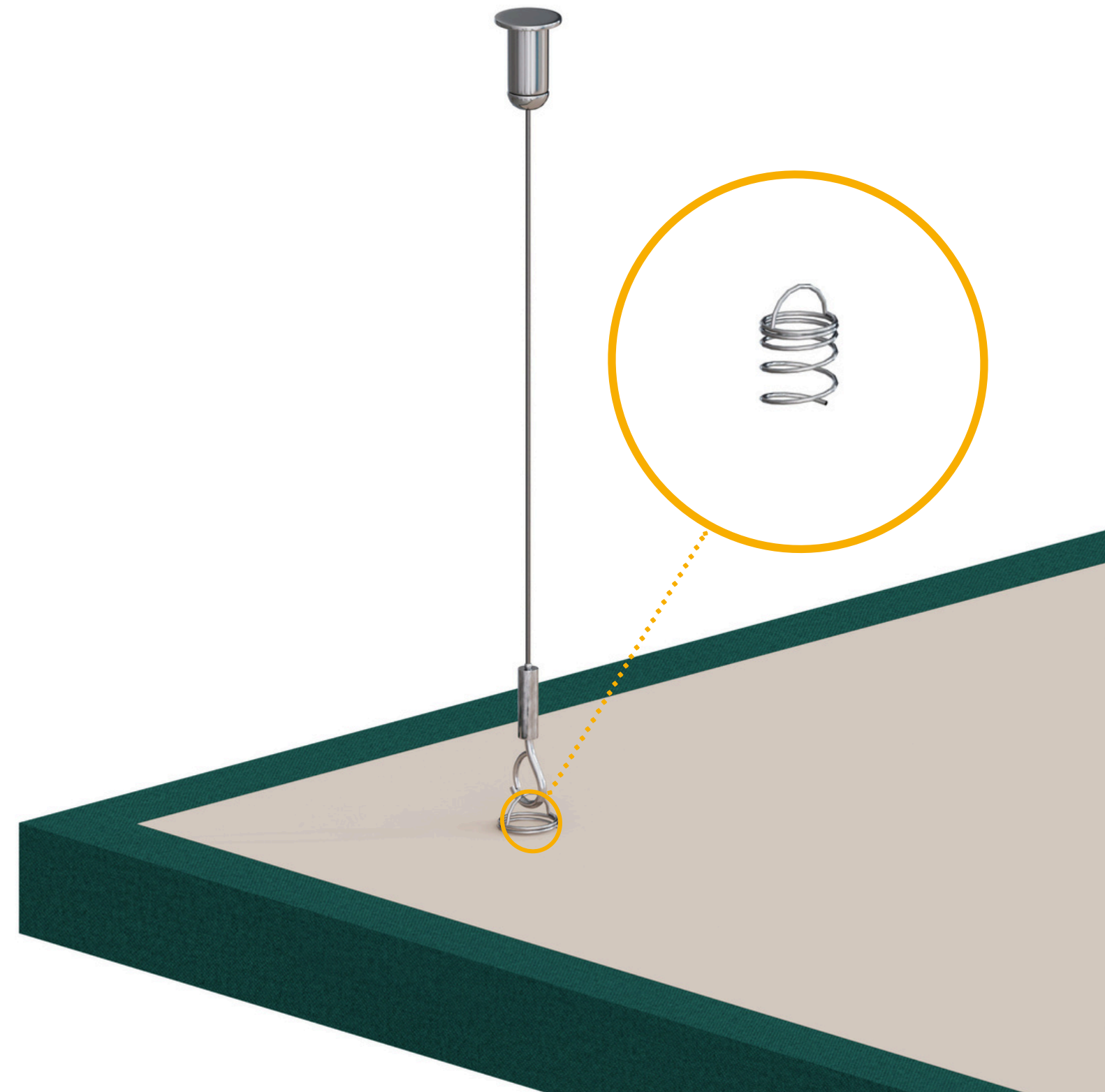
- Insert the cables into the eyelet hooks.

### Step 6. Connect Raft to Hanger:

- Offer up the raft to the wire hanging kit and connect the spiral hooks to the clip.

### Step 7. Level Adjustment:

- Adjust the height and level by pushing down the mechanism on the top side of the clip to release tension on the wire.

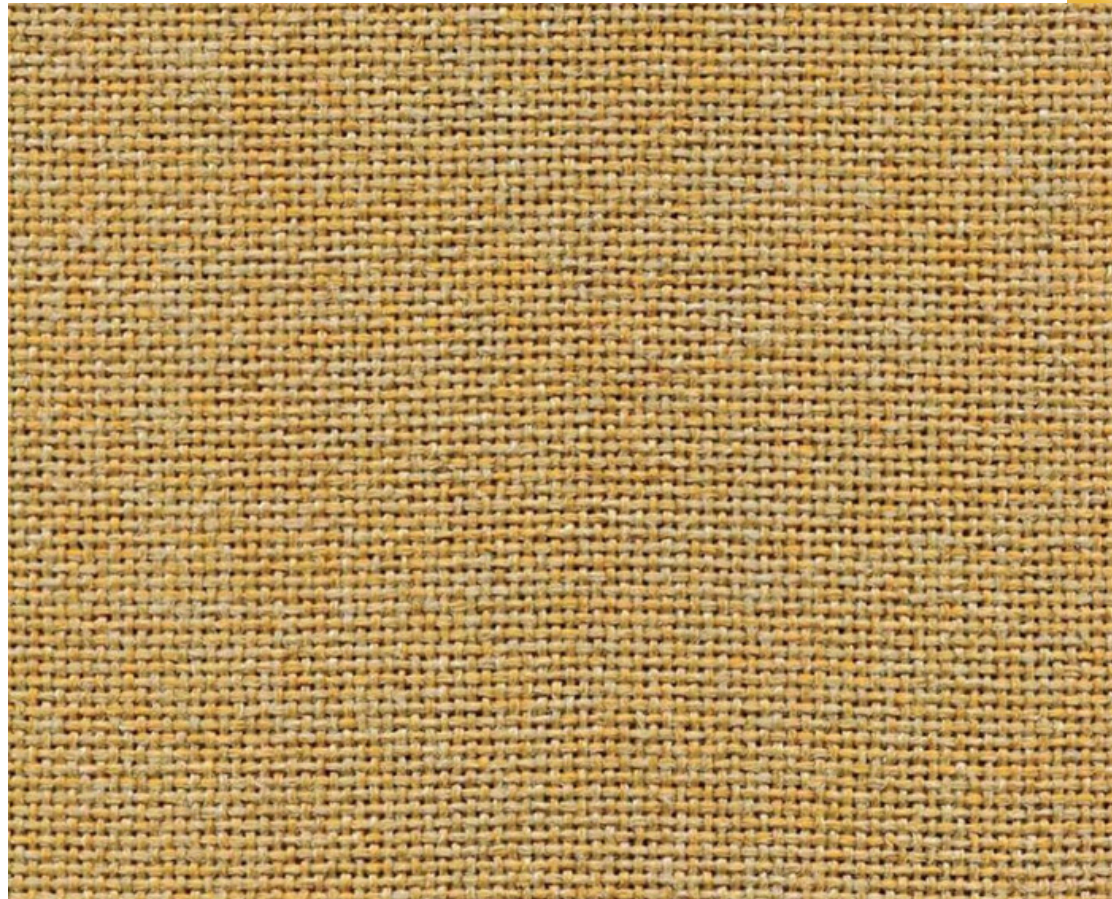




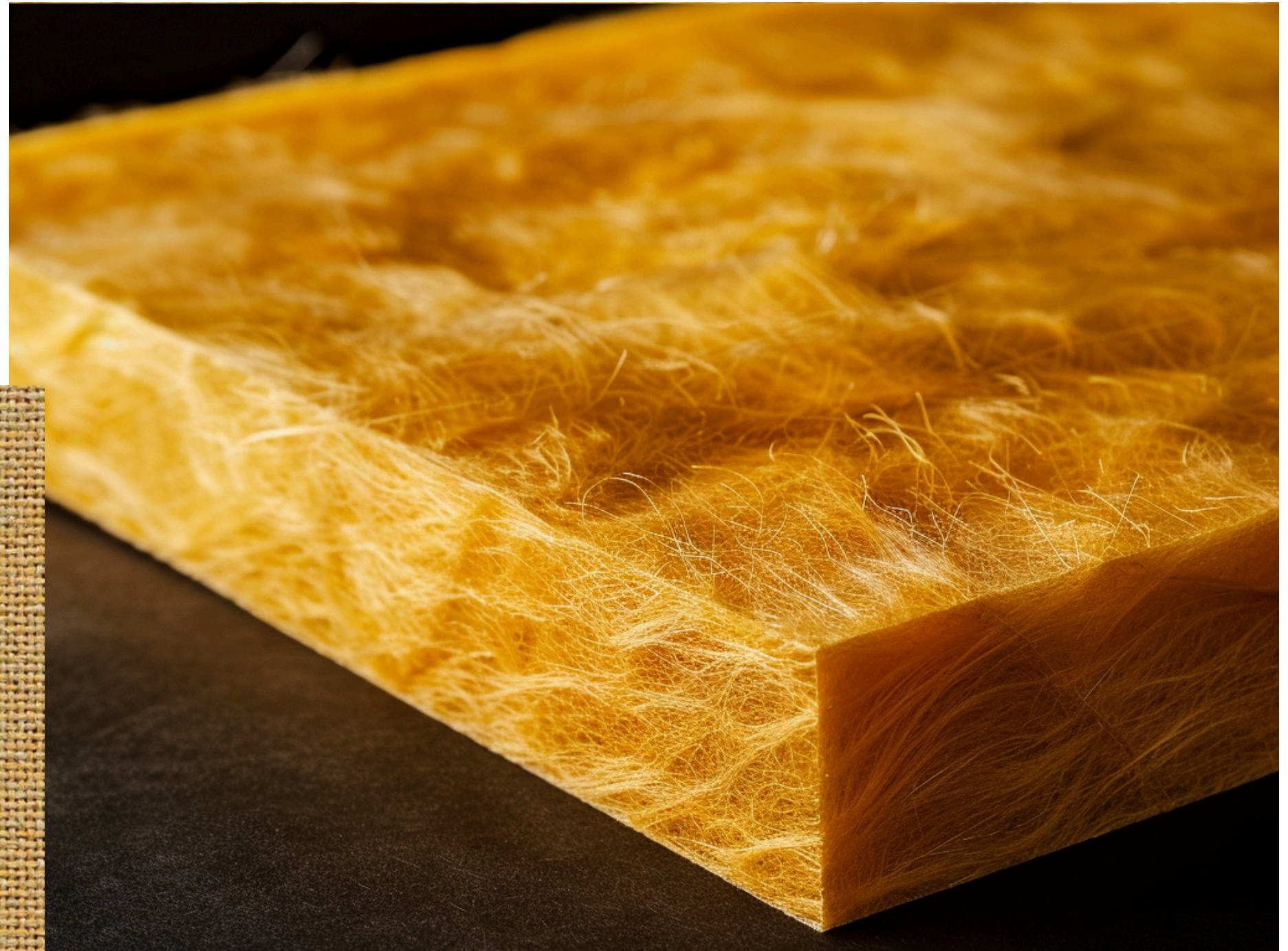
## Sunda Raft **Materials**

Sunda Raft features a dense glass wool core, providing exceptional sound absorption while being environmentally sustainable. Its high-quality fabric face delivers a premium finish and comes in a wide range of colours.

Camira Fabric

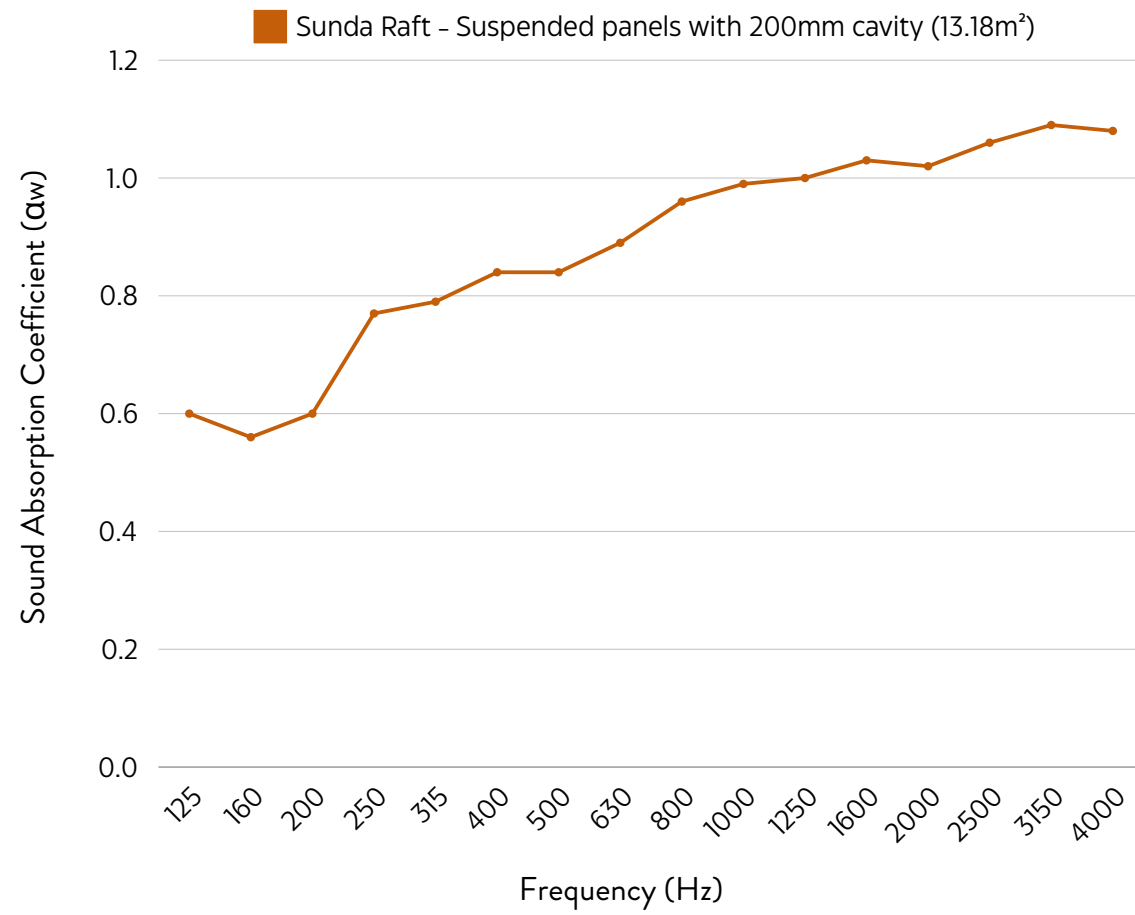


Glass Wool Core



# Performance Acoustic Results

Sunda Raft has been acoustically tested and features exceptional properties, achieving up to a Class A Sound Absorption rating.



Sunda Raft - Suspended panels with 200mm cavity (13.18m <sup>2</sup> )																
Frequency (Hz)	125	160	200	250	315	400	500	630	800	1000	1250	1600	2000	2500	3150	4000
Absorption Coefficient (αw)	0.60	0.56	0.60	0.77	0.79	0.84	0.84	0.89	0.96	0.99	1.00	1.03	1.02	1.06	1.09	1.08
<b>αw 0.90 Class A</b> Calculated to EN ISO 11654:1997 <b>NRC 0.90</b> Calculated to ASTM C 423-01																





## Product Specification



### Fire

Sunda Raft core board has been tested and offers EN 13501-1:2007+A1:2009 Fire classification of construction products and building elements—Part 1: Classification using data from reaction to fire tests, Class B.



### Weight

Sunda Raft weighs 4kg/m<sup>2</sup>. All weights are given as approximations.



### Acoustic Performance

Sunda Raft has been tested and offers Class A acoustic performance with an 0.90 NRC rating.



Sound  
absorbing



Eco  
friendly

# Colours

Sunda Raft is elegantly wrapped in high-quality Camira fabric. We offer the Lucia fabric range as standard, but can also provide other fabric options and colours upon request. For alternative colour choices, please contact a member of our team.



## Samples

If you would like a closer look at our Sunda collections, please get in touch.

## Storage & Handling

Protect Sunda Raft from excessive moisture during storage and handling. Avoid placing or stacking items on top of the rafts to prevent damage. Handle with clean hands or gloves to avoid marks. Store in a clean, uncluttered area to prevent accidental damage.



## Aftercare & Maintenance

Sunda Raft requires minimal maintenance post-installation. For cleaning, use a damp cloth as needed and dust periodically to keep the rafts looking their best.

FIND YOUR  
**HARMONY**



## FAQs

### **How many Rafts do I need?**

Determining the optimal quantity of Sunda Raft isn't an exact science. Broadly, increased surface coverage leads to greater sound absorption and reduced echo. As a general guideline, aiming to cover approximately 30% to 50% of the ceiling area typically results in effective sound absorption.

### **Do you make this raft in custom shapes and sizes?**

Yes, although we have a standard range of the most popular shapes and sizes, it is possible to have a customised shape or size of the Sunda Raft to suit your requirements.

### **Do I need any screws or equipment to install these rafts?**

The only fixings you will need in addition to the supplied hanging kits are the screws to attach the Top Hat fixing to the soffit. We do not supply these screws as the appropriate screws will dependant on your soffit structure ie. Plasterboard, concrete, timber which your local DIY store will be able to recommend.

### **Is there a warranty with Sunda Raft?**

Our Sunda Raft comes with a one-year manufacturer's warranty, providing coverage for any defects in materials or workmanship.

### **Where is this product shipped from?**

Sunda Raft is manufactured in and shipped from the UK.

### **How do these Rafts arrive?**

Your delivery will arrive fully packaged and protected on a specific vehicle for the size and weight of your delivery.

# CONTACT US

01977 525974

[info@theacousticsstore.co.uk](mailto:info@theacousticsstore.co.uk)

[www.theacousticsstore.co.uk](http://www.theacousticsstore.co.uk)

c/o Qic Trims Radclive Road,  
Gawcott Buckingham, MK18 4BL

**THE ACOUSTICS STORE**  
*SOUNDS JUST RIGHT*